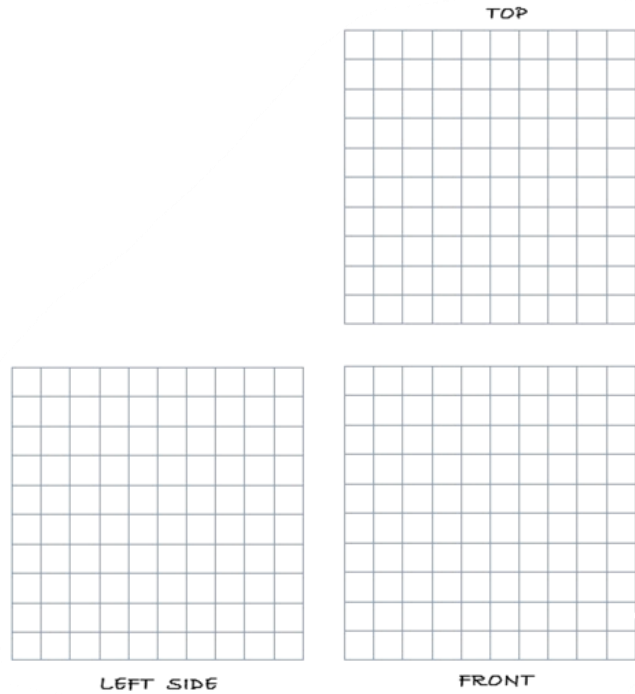
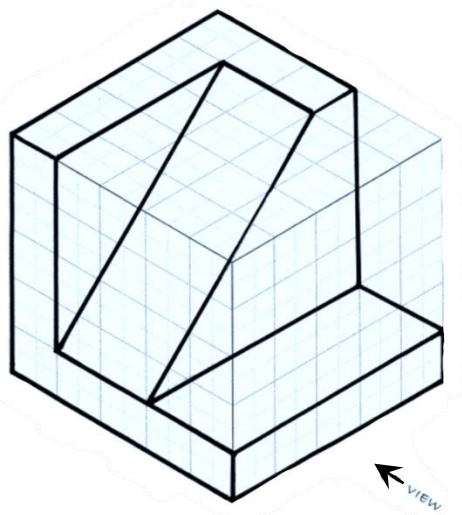




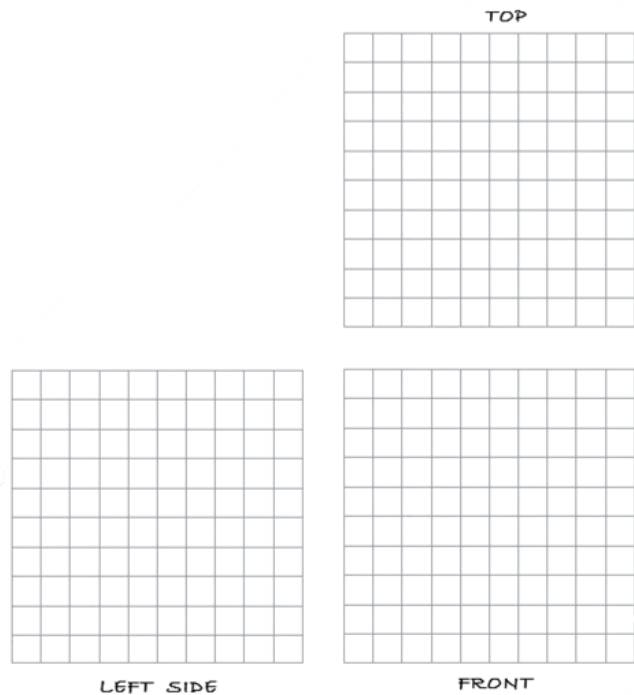
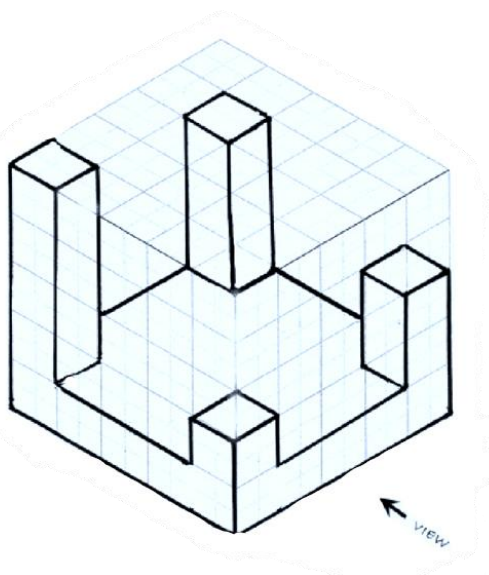
Set 41: Orthogonal Sketching - Level 1

# Orthogonal Views from Isometric

Q1 Taking the dimensions from the isometric view, sketch the top, front and side orthogonal views.



Q2 Taking the dimensions from the isometric view, sketch the top, front and side orthogonal views.

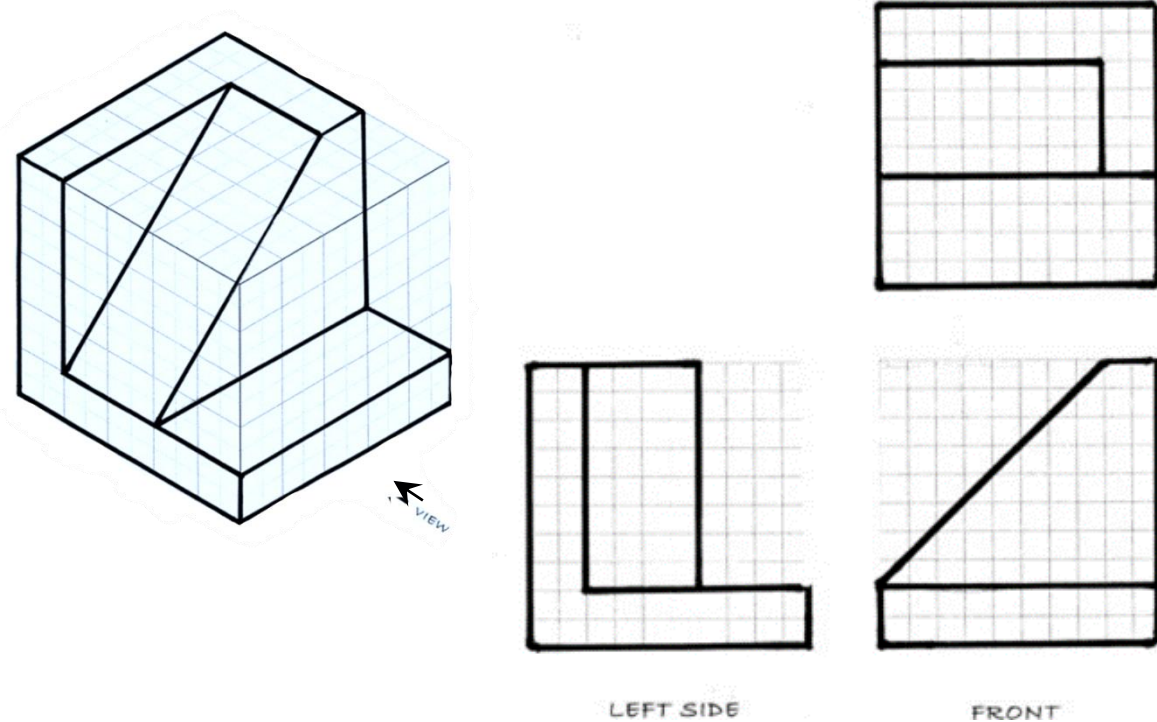




Set 41: Orthogonal Sketching - Level 1

# Orthogonal Views from Isometric

Q1 Taking the dimensions from the isometric view, sketch the top, front and side orthogonal views.



Q2 Taking the dimensions from the isometric view, sketch the top, front and side orthogonal views.

