

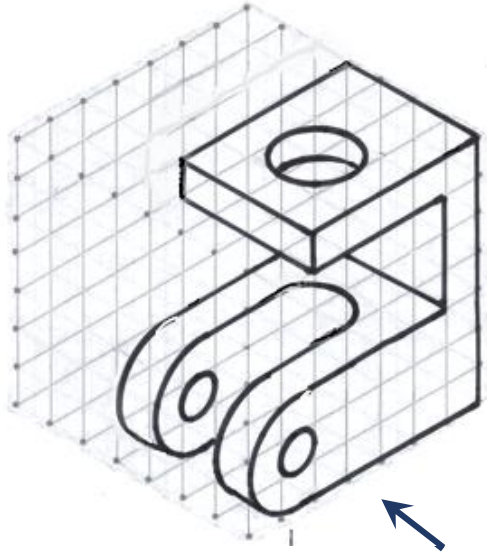


Set 41: Orthogonal Sketching - Level 1

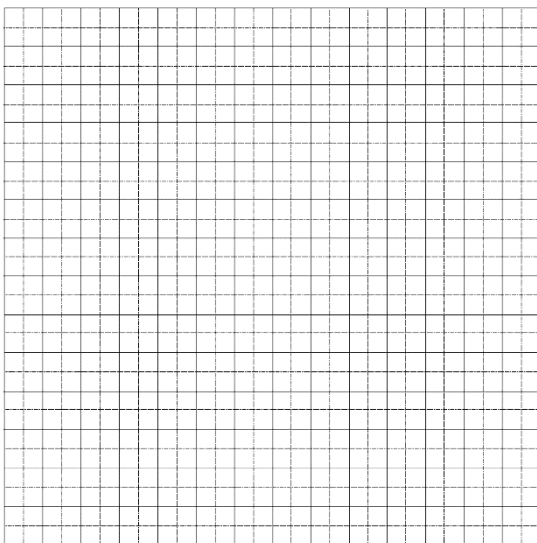
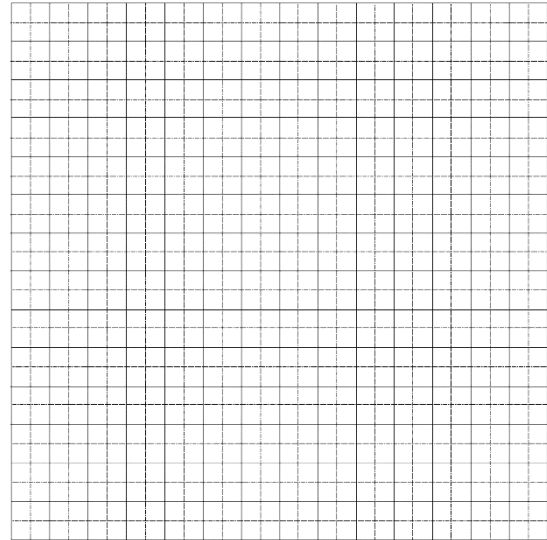
# Orthogonal Views of Bracket

Q1 Using orthogonal projection, sketch a top, front and side view of the bracket. Take sizes from the scaled isometric.

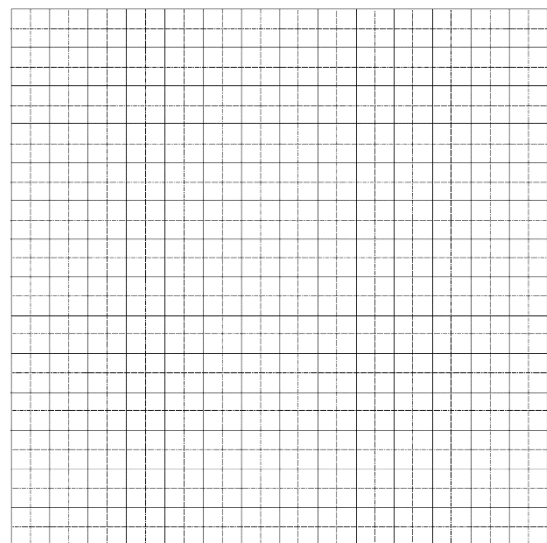
ISOMETRIC VIEW



TOP VIEW



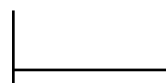
SIDE VIEW



FRONT VIEW

Q2 Add one dimension to the side view using AS1100 Standards.

Q3 Draw a standard dimension arrow head and label its width and length proportions.





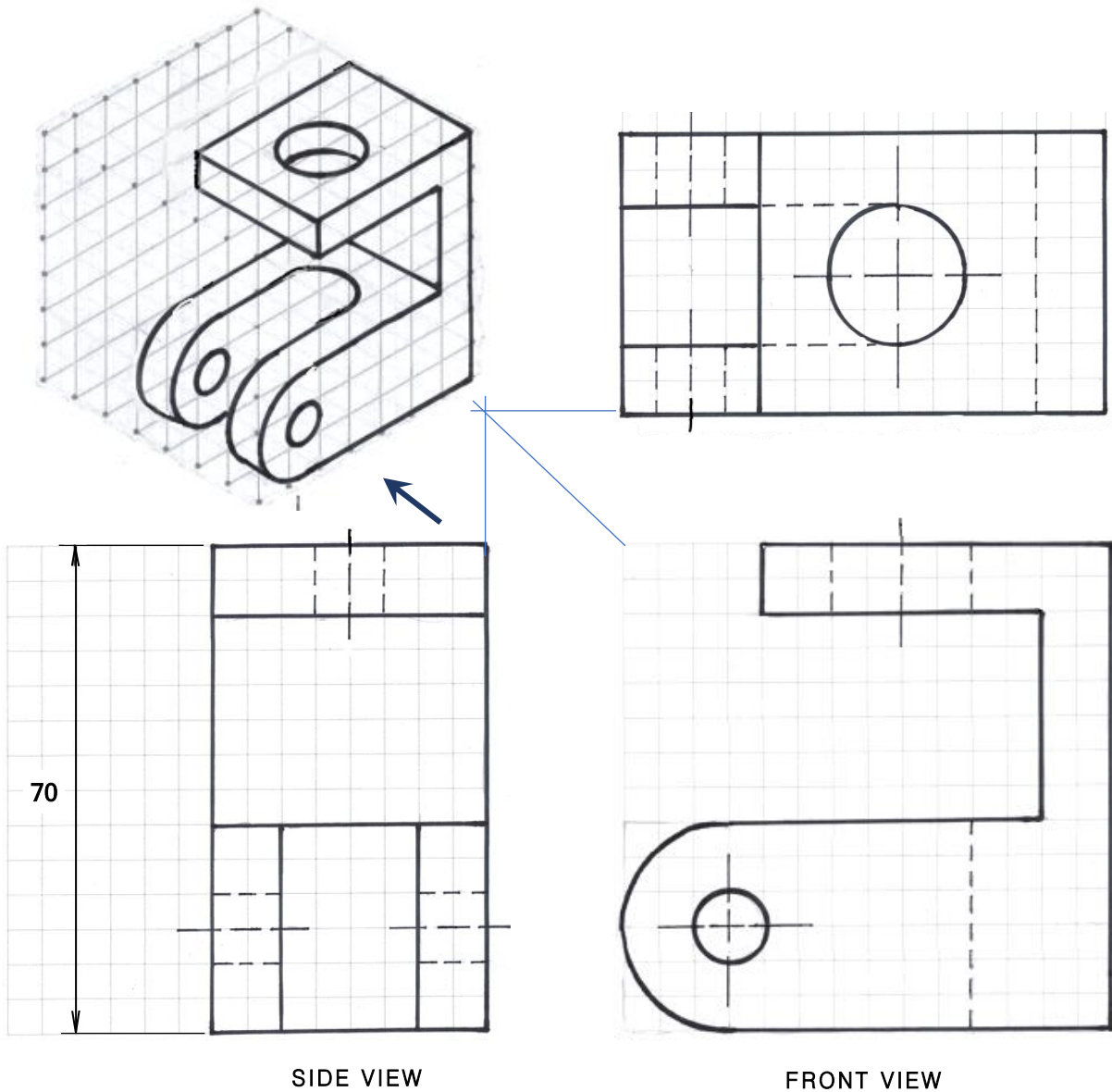
Set 41: Orthogonal Sketching - Level 1

# Orthogonal Views of Bracket

Q1 Using orthogonal projection, sketch a top, front and side view of the bracket. Take sizes from the scaled isometric.

ISOMETRIC VIEW

TOP VIEW



Q2 Add one dimension to the side view using AS1100 Standards.

Q3 Draw a standard dimension arrow head and label its width and length proportions.

